



AireShare™ Transfer Fan Specification Sheet

Model AS2



Job Name: _____

Equipment Rep: _____

Contractor: _____

Tjernlund Contact: _____

Arch./Engr.: _____

Date: _____

Description:

Low sone, dual inlet blower quietly moves conditioned air through the wall cavity from one room to an adjacent room. Design allows for intake and diffuser to be located high or low or almost directly across from one another.

Blower Grille:

20 gauge aluminized steel. Washable powder coat with satin white finish. Can be repainted.

Diffuser:

20 gauge aluminized steel with attached adjustable-fit flanges. Unexposed built-in turning vane. Washable powder coat with satin white finish. Can be repainted.

Blower:

3 speed options. 110 CFM, 95 CFM, 80 CFM.

Motor:

PSC 1170 RPM, Thermally Protected. Bearings designed for 32,000 operating hours.

Supply Power:

Installer supplied to the AS2 electrical box. Industry standard 7/8" electrical knockouts located on the top and bottom for ease of installation. Add a 120 VAC wall switch or thermostat to turn on/off.

Installation Notes:

When installed between metal studs all knockouts should be plugged or sealed.

Device shall NOT be installed in an exterior wall.

Device shall NOT be installed in a fire-rated wall.

Warranty:

One (1) year material and workmanship.



Specifications:

Model	Minimum Wall Cavity	Volts	Watts	CFM	Speed	A* Sones	B* Sones
AS2	4"	120	30	110	Hi	1.5	1
	<i>A* Sones: Intake Room</i>		21	95	Med	1	<1
	<i>B* Sones: Target Room</i>		16	80	Low	<1	<1

Typical Specification:

Device shall be Tjernlund Model AS2.

Device shall move air using a dual inlet blower.

Diffuser shall be equipped with a built-in turning vane.

Diffuser shall have a discharge deflector with an angle of 15° to the horizontal.

Device shall have a sound level no greater than 1.5 Sones.

Power consumption of device shall be no greater than 30 watts.

Device shall have no power cord exposed outside the wall in which it is installed.

Device shall be Listed in the USA to ANSI/UL 507 and in Canada to CSA C22.2 #113-M.

Optional Equipment:

- DK2 - Duct kit for installation in obstructed wall cavities, where metal studs with wiring knock outs are used or to conform to energy codes requiring metal ducts

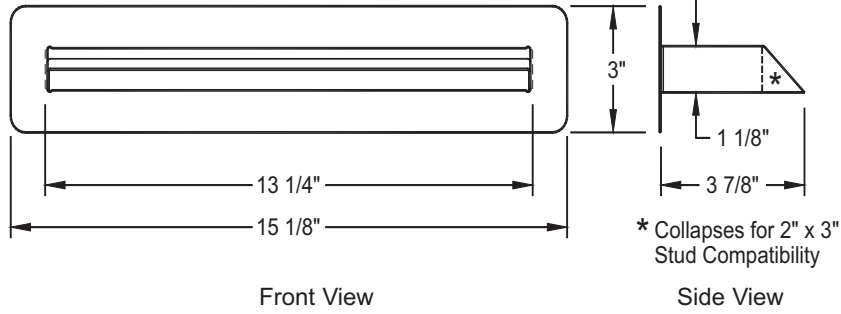
Optional Controls:

- AS2SW3 - 3-Speed Switch kit for High, Med & Low control
- FC24 - 24V Fan Center to interface any 24V T-stat
- SWT - Switch-It™ Wireless Digital T-stat (Heat only)
- SWS - Switch-It™ Wireless Wall Switch



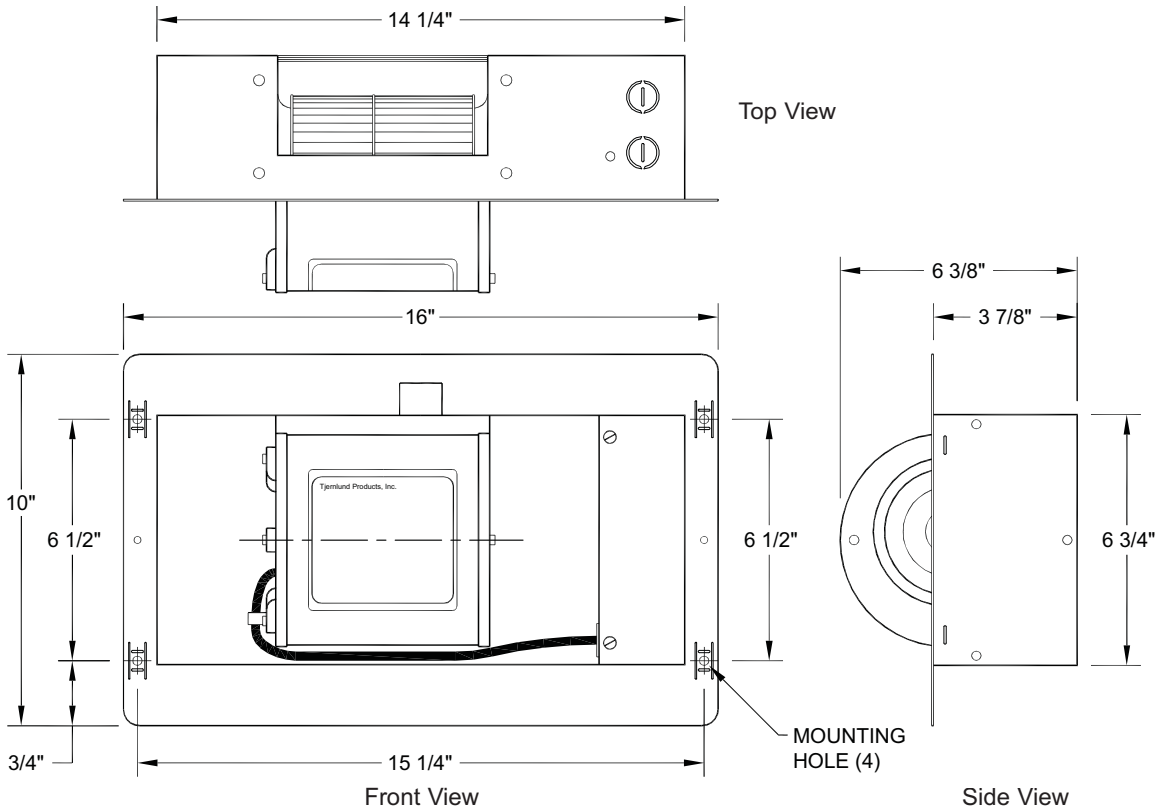
Model AS2 Dimensions

AS2 Diffuser



**Wall Opening
Rough-In**
1 1/4" Height
13 5/8" Width

AS2 Blower Housing



**Wall Opening
Rough-In**
7 1/4" Height
14 1/2" Width

AS2 Blower Grille

