



# Specification Sheet

## Models DSF2W, DSF2B



Job Name: \_\_\_\_\_

Equipment Rep: \_\_\_\_\_

Contractor: \_\_\_\_\_

Tjernlund Contact: \_\_\_\_\_

Arch./Engr.: \_\_\_\_\_

Date: \_\_\_\_\_

### Description:

The D-Strat™ Series compact, high velocity destratification ceiling fans recirculate trapped air in high ceiling areas to lower heating costs, extend life of HVAC equipment and promote the comfort of occupants. The compact, 540 CFM high-velocity fan operates on only 30 watts and reduces the typical temperature differential of twenty degrees or more between ceiling and floor levels by at least fifty percent. Unlike conventional paddle blade ceiling fans, D-STRAT fans do not have visual moving blades. Discharge velocity of 2000 FPM moves air effectively in a defined column to the floor level. Operation is quiet at 1.5 sones, ideal for office areas and other noise sensitive environments. Costs less than 1/2 cent per hour to operate based on average U.S. electrical rates. Compact design fits between roof trusses affording full access to upper level warehouse storage racking. A heavy-gauge swivel mount allows fan to be aimed to avoid obstructions, concentrated at works areas or to dry floors in wet entryways.

### Applications:

Suitable for Gymnasiums, Warehouses, Factories, Automotive Repair, Grocery, Big Box Stores, Pole Barns, Entryway Floor Drying

### Housing Construction:

White (DSF2W) or Black (DSF2B) powder coated aluminized steel.

### Power Supply:

Factory installed six foot 115 VAC power cord. Power cord can be removed if hard wiring is required.

### Motor Ratings / Performance:

115 VAC, 30 watt, 540 CFM, 2000 FPM. Suitable for ceiling heights up to 24 feet.

### Fire Limit Switch:

196°F (91°C) Thermal Limit

### Safety Cable:

5' Safety Listed self-locking steel cable

### Factory Run Test:

Operational testing includes ground and dielectric tests.

### Warranty:

One (1) year material and workmanship.

### Typical Specification:

Device shall be Tjernlund Model DSF2W or DSF2B.

Device shall include adjustable swivel mounting bracket.

Device shall have a sound level no greater than 1.5 Sones.

Power consumption of device shall be no greater than 30 watts.

Device shall include factory installed 115 VAC power cord which can be removed if hard wiring is required.

Device shall include fire protection thermal limit switch and deactivate the fan if ambient air temp exceeds 196°F (91°C).

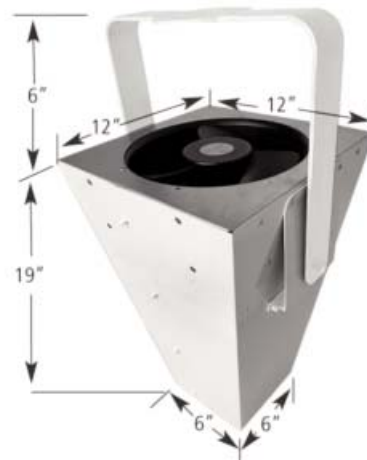
Device shall include a Safety Listed self-locking steel safety cable.

### Optional Equipment:

- DSF2FG - Fan Guard Kit Shields fan blades from incidental contact.

### Optional Controls:

- DSF2TR - Multi-Voltage Transformer converts all typical ceiling level power sources to 120 VAC. (Single Phase 208,220,230,240,277 & 480 Volt)
- 950-8415 - 120 Volt Wall Mount Speed Control Rated for use with up to 20 DSF2 fans.



DSF2W - White  
DSF2B - Black