



# Submittal Data Sheet

## VSVS12000 Variable Speed Ventilator

Job Name: \_\_\_\_\_

Equipment Rep: \_\_\_\_\_

Contractor: \_\_\_\_\_

Prepared By: \_\_\_\_\_

Arch./Engr.: \_\_\_\_\_

Date: \_\_\_\_\_

**Description:**

VSVS-Series Variable Speed Ventilator that is suitable for Dryer venting, Combustion air and/or ventilation.

Use with the MPC-Series Modulating Pressure Controllers, VFD and Pressure Sensor for an automatic-variable speed system which will modulate to always deliver the perfect amount of Dryer Exhaust, Combustion Air or Ventilation.

**Listings:**

UL 705 - Power Ventilators  
 UL 762 - Power Roof Ventilators for Restaurant Exhaust



**Warranty:**

1 year mechanical

**Housing Construction:**

Continuously welded, Heavy-gauge, coated with a polyester powdercoat.

**Impeller:**

30" Non-overloading, aluminum wheel statically and dynamically balanced.

**Motor:**

Three phase, 7.5 HP, 3x208-230/460 VAC, TEFC, E-PLUS®3, Inverter Duty Rated

**Performance:**

CFM 12,000  
 S.P. 2.0" W.C.

**Standard Equipment:**

- Motor Cover
- Square to Round Transition

**Optional Controls & Equipment:**

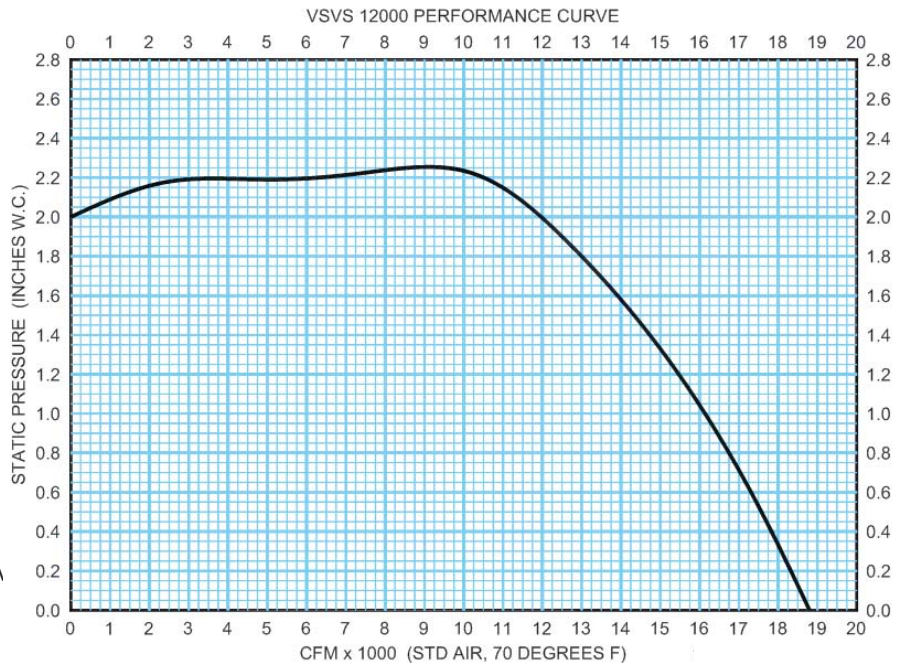
- MPC Modulating Pressure Controller
- IPS-1 Indoor Pressure Sensor with Decorative Cov
- VFD-Series Variable Frequency Drives
- FFP-1 Freeze and Fire Protection Limit (FFP-1 For combustion air applications only!)

**Sound Levels in Db:**

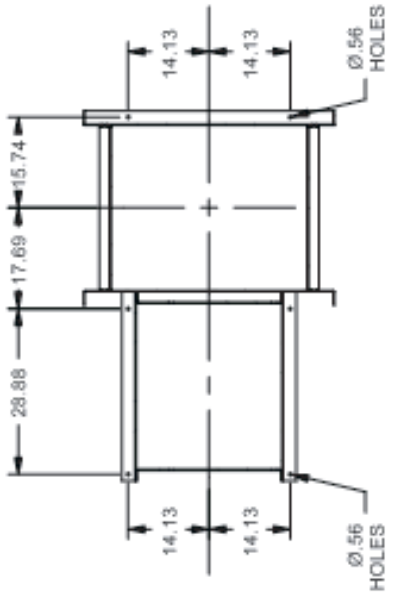
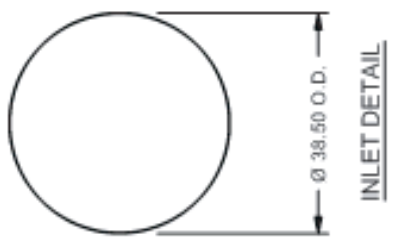
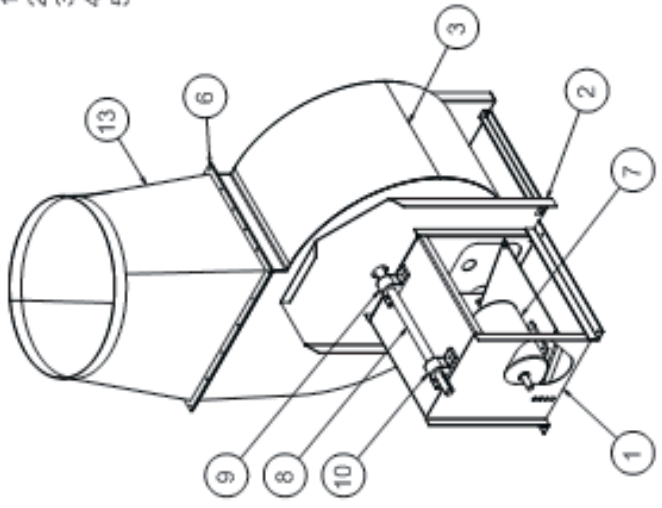
Octave Bands	1	2	3	4	5	6	7	8	LWA
Level at Inlet	88	86	80	76	74	69	63	57	79

**Weight:**

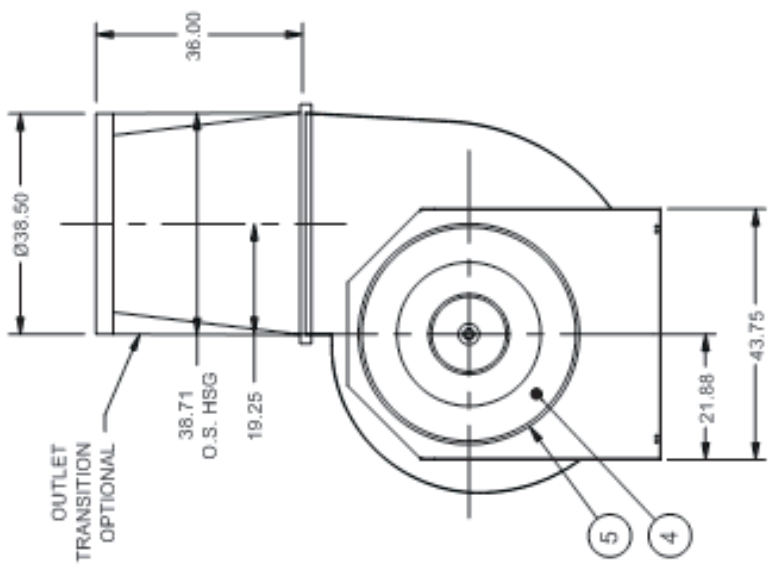
1207 Lbs



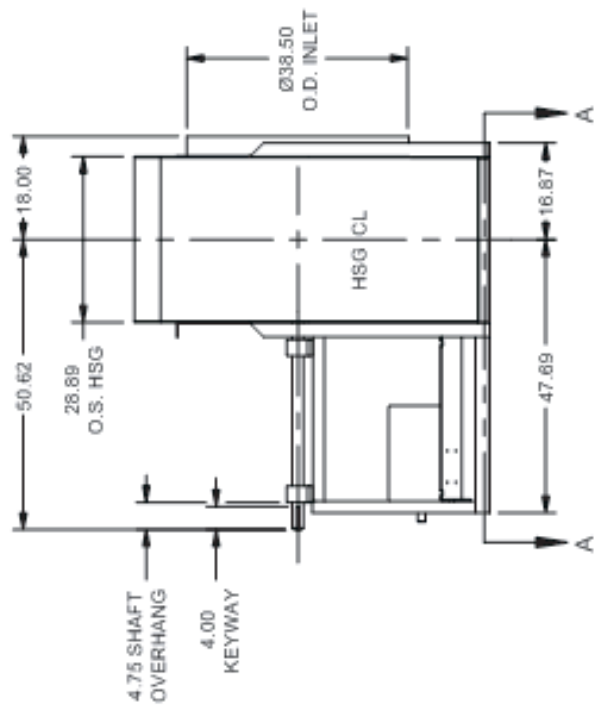
- 1 PEDESTAL
- 2 DRIVE STAND
- 3 HOUSING ASSEMBLY
- 4 INLET CONE
- 5 INLET RING
- 6 OUTLET FLANGE
- 7 MOTOR
- 8 SHAFT
- 9 BEARING
- 10 BEARING
- 11 WHEEL (NOT SHOWN)
- 12 HUB (NOT SHOWN)
- 13 OUTLET TRANSITION



FOUNDATION PLAN - TOP VIEW  
SECTION A-A



INLET SIDE VIEW



DRIVE SIDE VIEW

